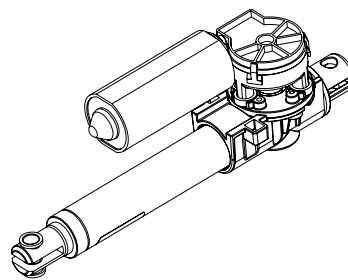
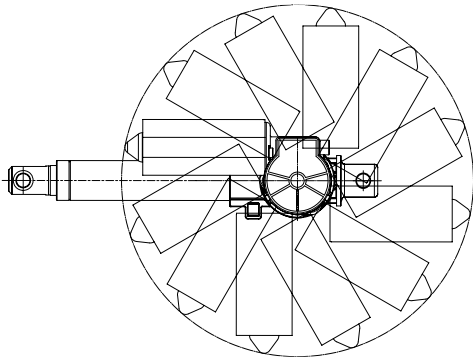
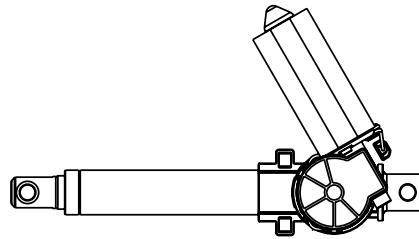
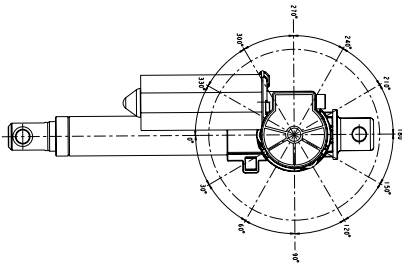


Drawing no.:028638



All rights reserved

Date:

17 June 2010

Description:

Linear Actuator LA28 Compact



WE IMPROVE YOUR LIFE